

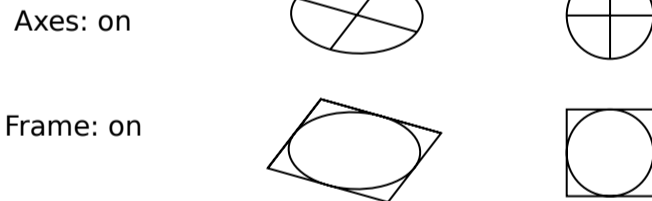
**Inkscape Live Effect "Ellipse from Points"**

Features:

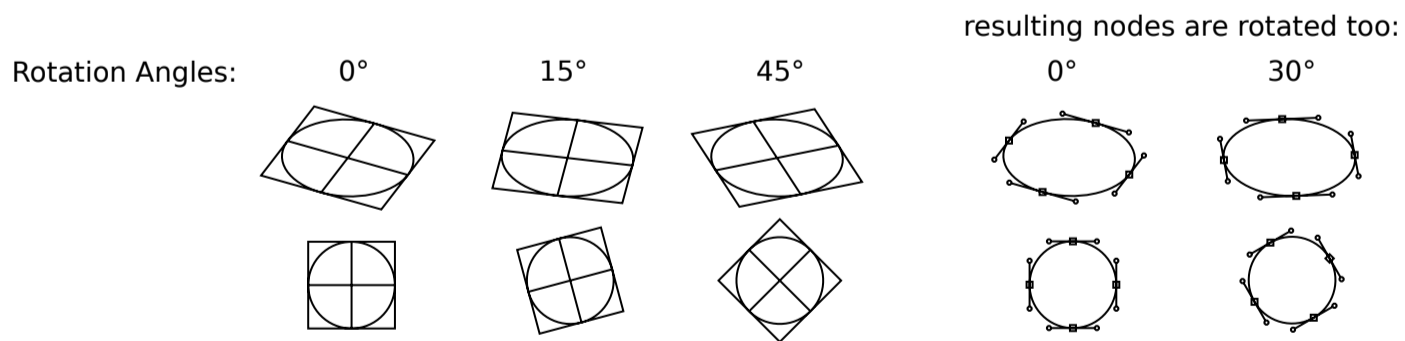
- Auto mode: 2..4 points: circle, more than 5 points: fit to an ellipse
- Circle only: fit all points of the given path to a circle
- Isonometric Circle: useful for isonometric views to generate ellipses representing circles in an isonometric view.
- Draw arc and its opposite as well as slice
- Rotation

Method	Source path	Result w/ Source Path on	Result	Description
Auto ellipse:				2 points: circle with both points defining the diameter
				3 points: circle with all points on the circle
				4 points: fitted circle
				5 points: ellipse with all points at the ellipse
				more than 5 points: fitted ellipse
Force circle:				more than 2 points: fitted circle
Isonometric circle:				

**Axes and Frame**



**Axes Rotation**



**Arc and Slice**

