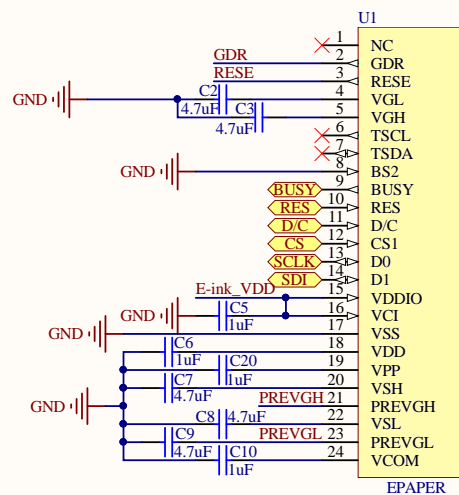
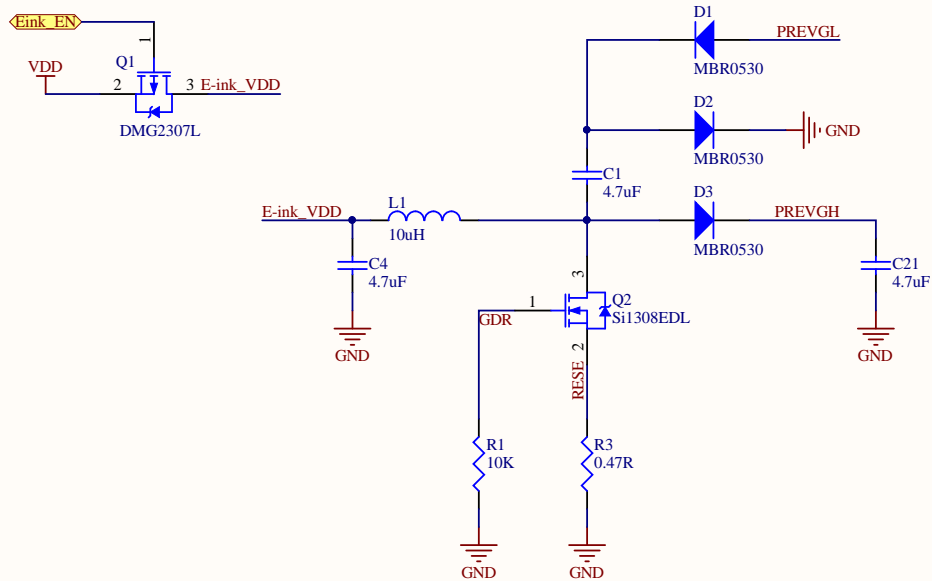



Title		papyr		electronic L+BS	
Size	A4	Number		Revision	Ver 0.3
Date:	1/11/2019		Sheet 1	of 2	
File:	D:\projects\...\Sheet1_nRF52840_SoC.Sch		Drawn By:	Sivaprakash	



Title		papyr			
Size	A4	Number		Revision	Ver 0.3
Date:	1/11/2019	Sheet	2 of 2		
File:	D:\projects\...\Sheet2_E-ink_display.SchDoc	Drawn By:	Sivaprakash		