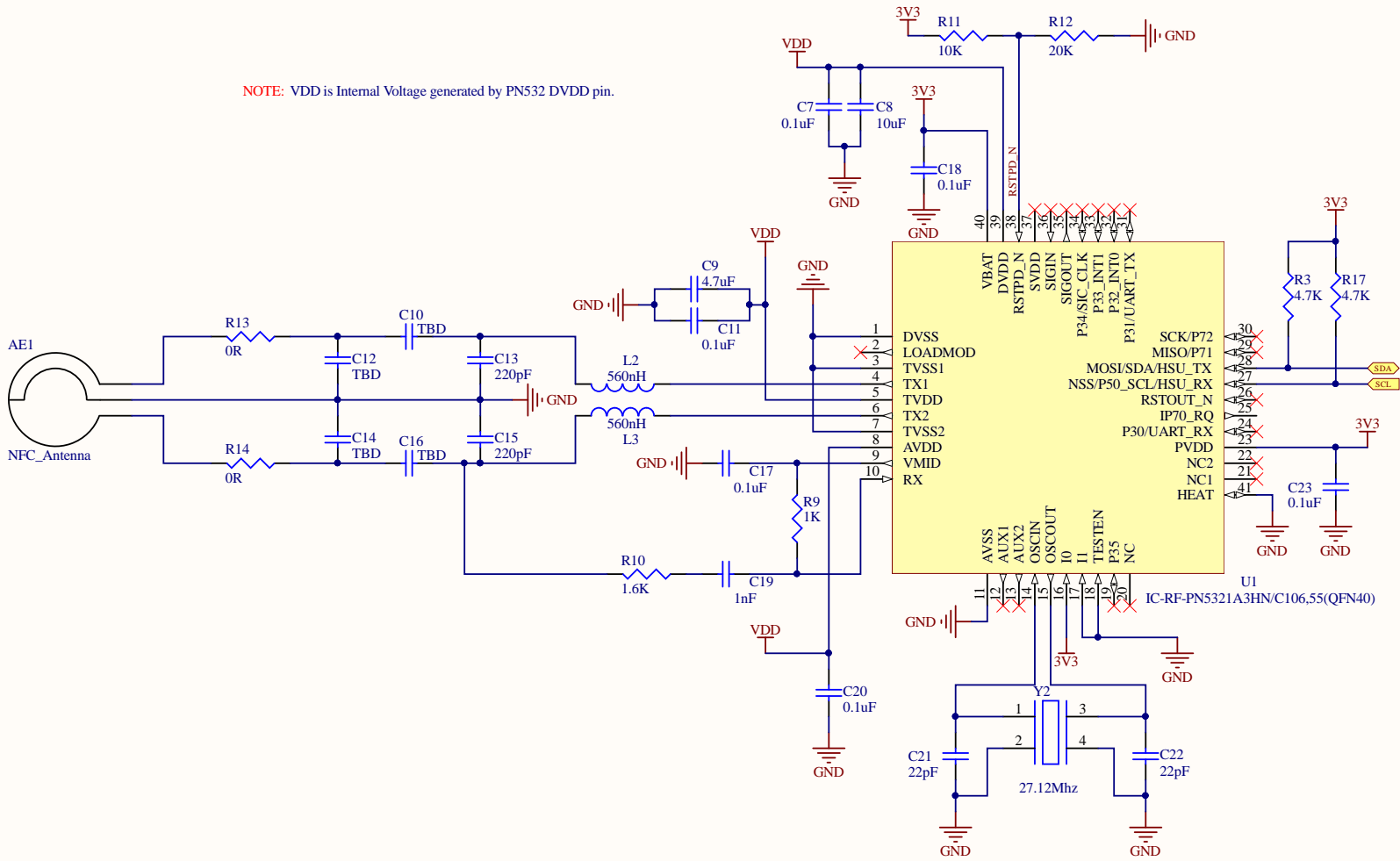



Title		Pi Gateway Hat			
Size	A4	Number		Revision	0.2
Date:	3/29/2019		Sheet	1 of 2	
File:	D:\projects\...\Sheet1_pi_gateway_hat.SchDoc		Drawn By:	Sivaprakash	

NOTE: VDD is Internal Voltage generated by PN532 DVDD pin.



Title		Pi Gateway Hat			
Size	A4	Number		Revision	0.2
Date:	3/29/2019		Sheet	2 of 2	
File:	D:\projects\...\Sheet2_pi_gateway_hat.SchDoc		Drawn By:	Sivaprakash	