

AC2690 – Slip Ring

AC259 – Brush Block

Miniature slip ring separate assemblies

Description

Sometimes a self-contained “capsule” slip ring is not practical due to system size constraints or cost limitations. We can provide the slip ring (rotor) and brush block (stator) as separate components to be mated by the customer in their system. The rotor is supplied in a drum configuration which features consecutive individual rings along the axis of rotation. Miniature separates may have slip ring rotor diameters less than 0.100 inch.

A slip ring can be used in any electromechanical system that requires unrestrained, intermittent or continuous rotation while transmitting power and / or data. It can improve mechanical performance, simplify system operation and eliminate damage-prone wires dangling from movable joints.

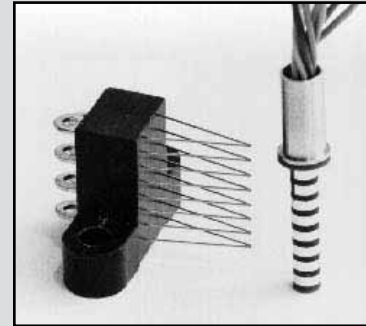
Options Available

Slip Ring

- Raised barrier (.110 diameter)
- V-groove (90°) in each ring

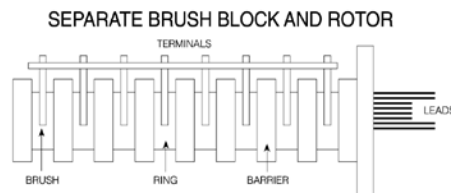
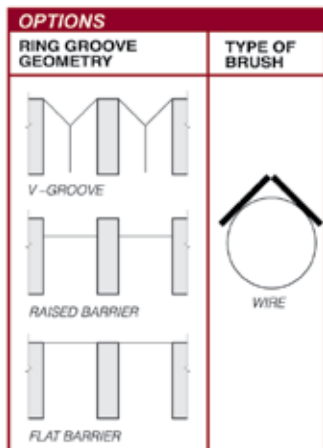
Brush Block

- Flying leads
- Gold or tin plated terminals



Typical Applications

- Instrumentation
- Displays and avionics
- Testing and measuring
- Custom machinery
- OEM machinery



Slip Ring Separate: AC2690 Specifications

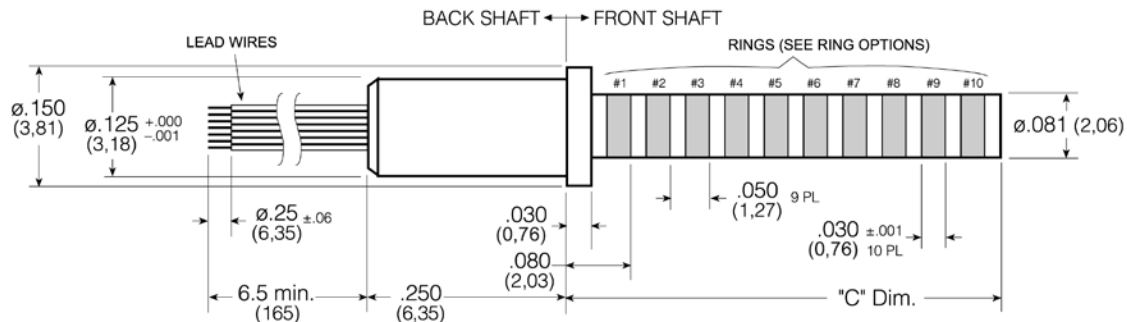
Materials:

- Contact surface - gold
- Backshaft - 303 stainless steel
- Leads - #30 AWG silver plated copper, Teflon® insulated
- Dielectric - plastic (mineral filled epoxy)
- Current rating - 1 amp / ckts

Teflon® is a registered trademark of E.I. du Pont de Nemours and Co.

Part #	# of Circuits	Dimension "C"
AC2690-1	1	0.100 inches (2,54 mm)
AC2690-2	2	0.150 (3,81)
AC2690-3	3	0.200 (5,08)
AC2690-4	4	0.250 (6,35)
AC2690-5	5	0.300 (7,62)
AC2690-6	6	0.350 (8,89)
AC2690-7	7	0.400 (10,16)
AC2690-8	8	0.450 (11,43)
AC2690-9	9	0.500 (12,7)
AC2690-10	10	0.550 (13,97)

Lead Wire	Color Codes
#1	Brown
#2	Red
#3	Orange
#4	Yellow
#5	Green
#6	Blue
#7	Violet
#8	Gray
#9	White
#10	Black



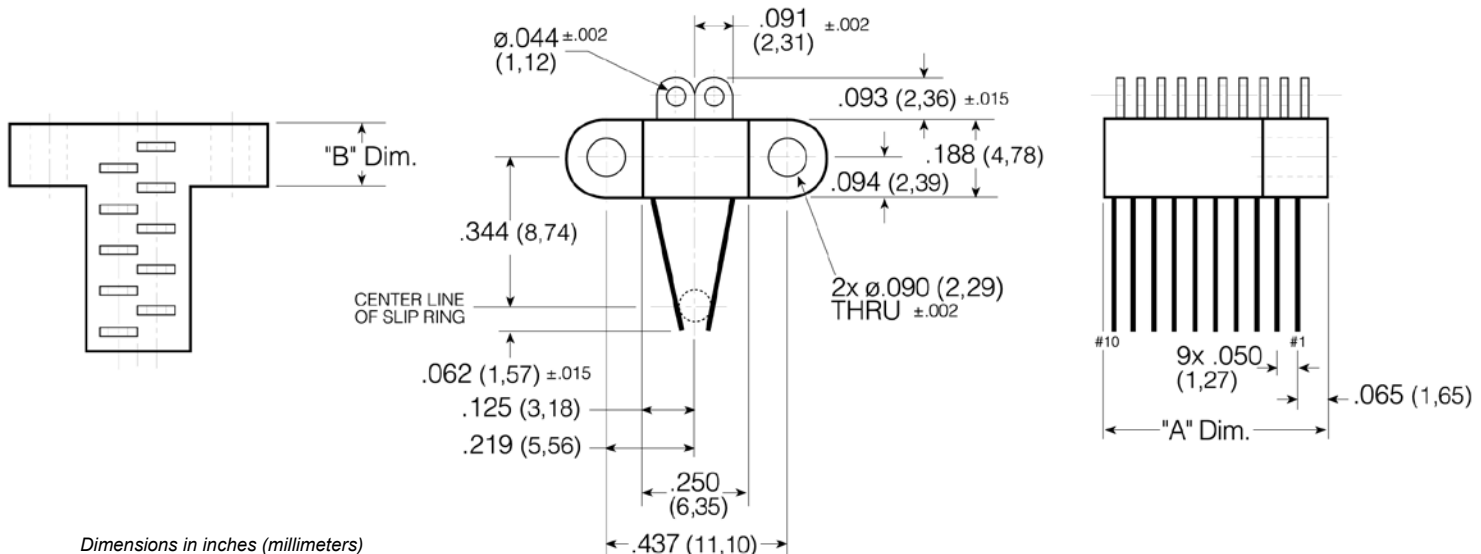
Note: For optimal life and performance, ring and brush contact areas should be lubed.

Brush Block Separate: AC259 Specifications

Materials:

- Brushes - precious metal
- Plastic - polyester
- Terminals - .015 thick brass, tin (gold optional) plated
- Flying leads optional
- Current rating - 1 amp / ckts

Part #	# of Circuits	Dimension "A"	Dimension "B"
AC259-1	1	0.100 inches (2,54 mm)	0.100 inches (2,54 mm)
AC259-2	2	0.140 (3,56)	0.140 (3,56)
AC259-3	3	0.190 (4,83)	0.156 (3,96)
AC259-4	4	0.240 (6,10)	0.156 (3,96)
AC259-5	5	0.290 (7,37)	0.156 (3,96)
AC259-6	6	0.340 (8,64)	0.156 (3,96)
AC259-7	7	0.390 (9,91)	0.156 (3,96)
AC259-8	8	0.440 (11,18)	0.156 (3,96)
AC259-9	9	0.490 (12,45)	0.156 (3,96)
AC259-10	10	0.540 (13,72)	0.156 (3,96)



Dimensions in inches (millimeters)