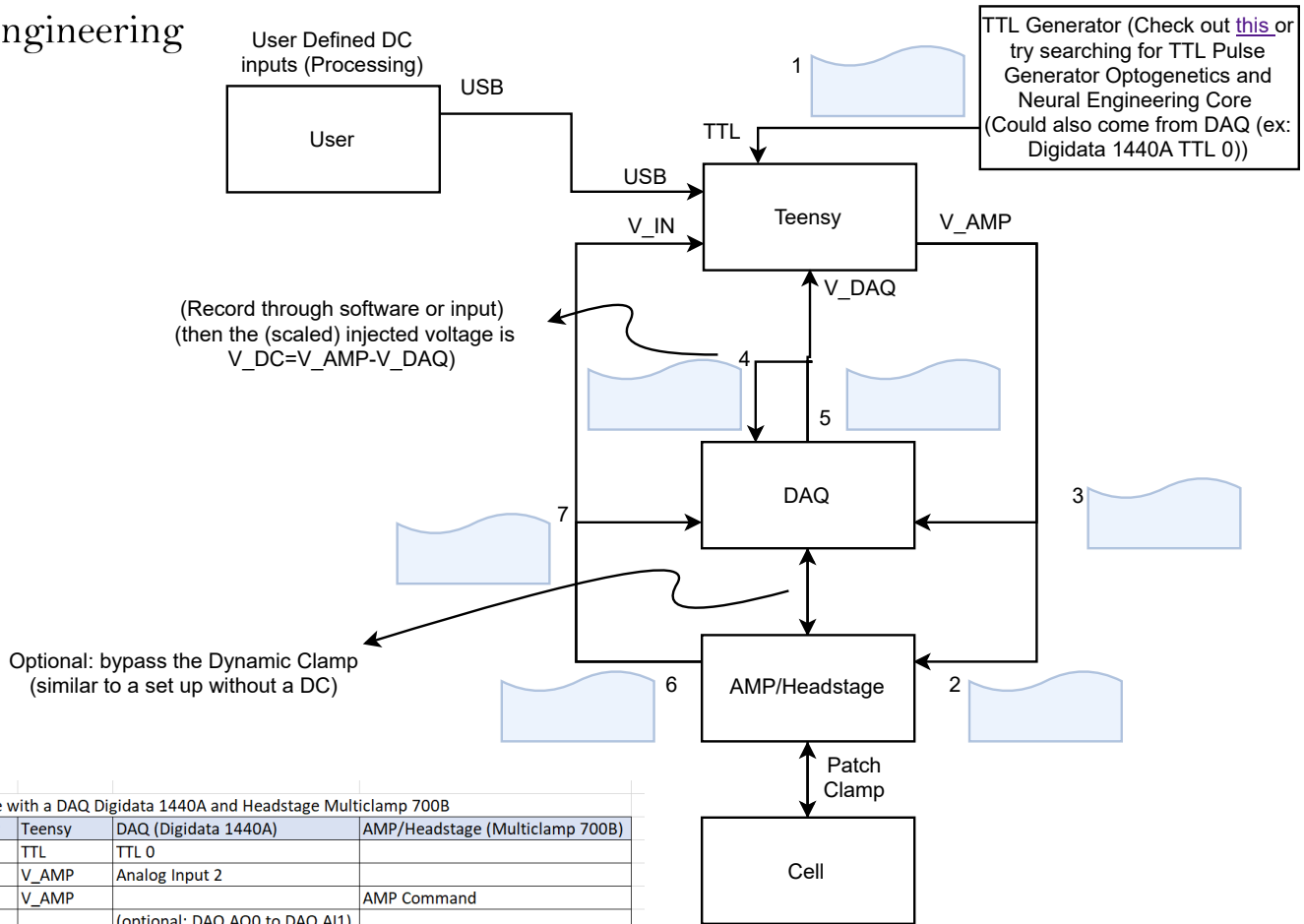


# Dynamic Clamp Hook Up Guide (information flow)



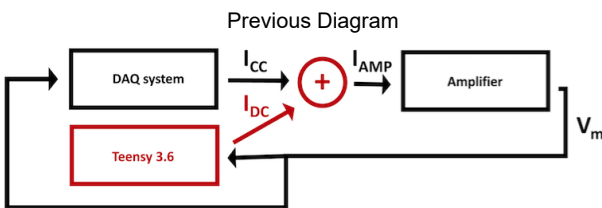
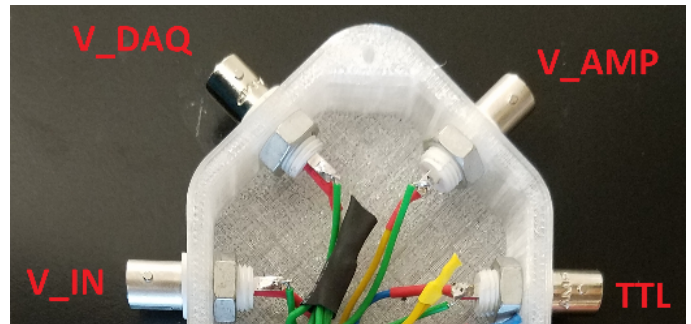
Example with a DAQ Digidata 1440A and Headstage Multiclamp 700B

Number	Teensy	DAQ (Digidata 1440A)	AMP/Headstage (Multiclamp 700B)
1	TTL	TTL 0	
2	V_AMP	Analog Input 2	
3	V_AMP		AMP Command
4		(optional: DAQ AO0 to DAQ AI1)	
5	V_DAQ	Analog Output 0	
6	V_IN	Analog Input 1	
7	V_IN		AMP 1 Out
(optional, bypass DC)		Analog Input 0	AMP 2 Out

Blank for you to fill out

Number	Teensy	DAQ	AMP/Headstage
1	TTL		
2	V_AMP		
3	V_AMP		
4			
5	V_DAQ		
6	V_IN		
7	V_IN		

The Dynamic Clamp In/Outputs



note, CC is DAQ and the hook up guide above is in Volts and not Current (except for Patch Clamp)

Reference:  
Niraj S. Desai, Richard Gray, and Daniel Johnston.  
A dynamic clamp on every rig. eNeuro (DOI:10.1523/ENEURO.0250-17.2017