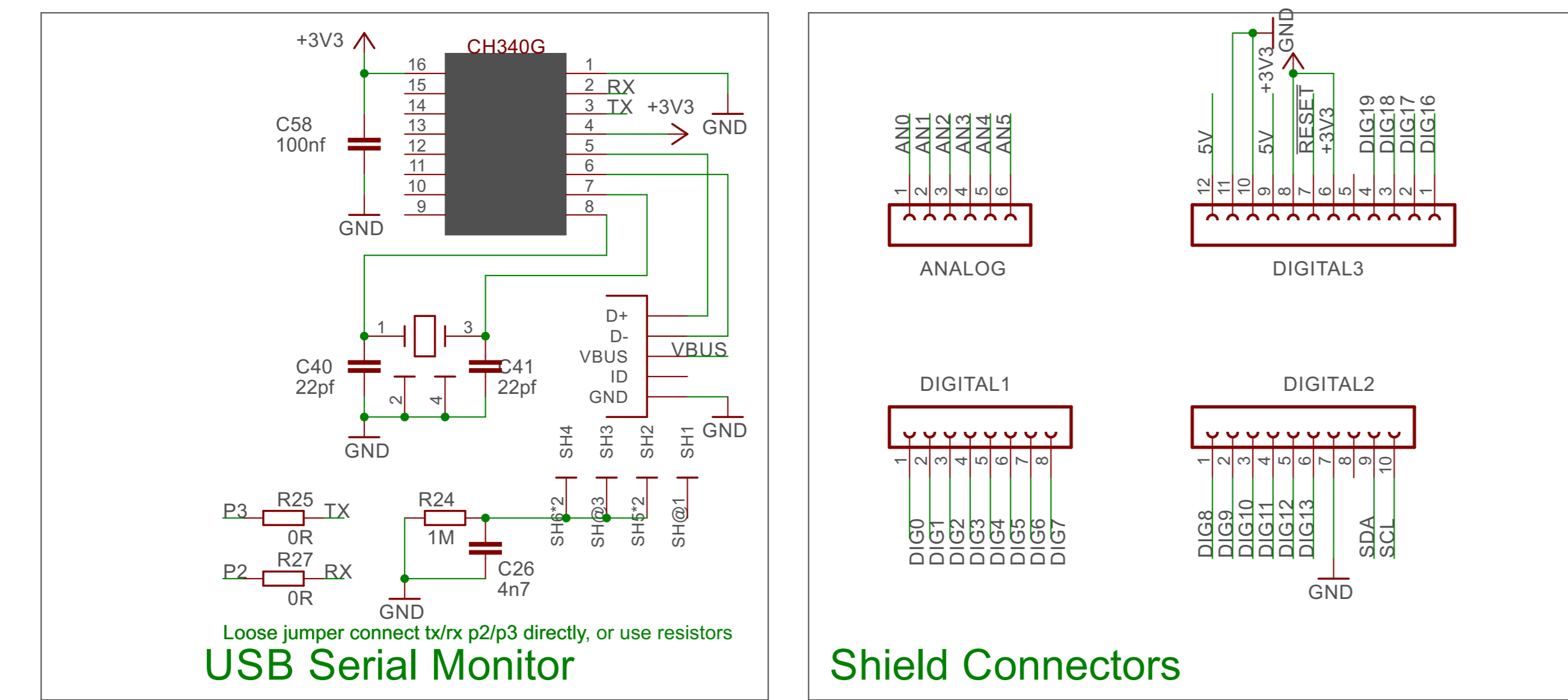


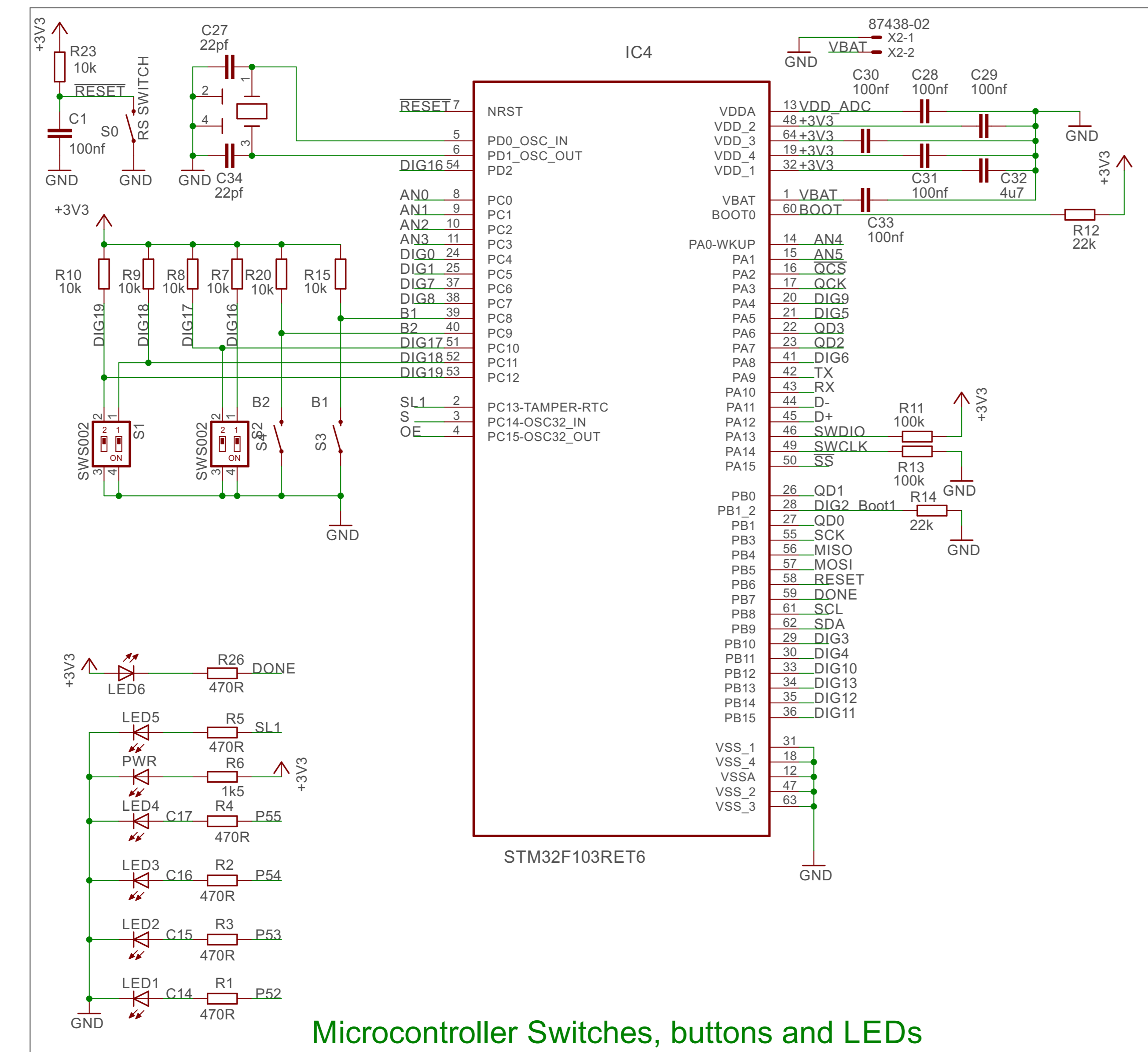
Coms & SDCard PMOD Connectors

Connect CTS and RTS to P0 and P5, use as reset?

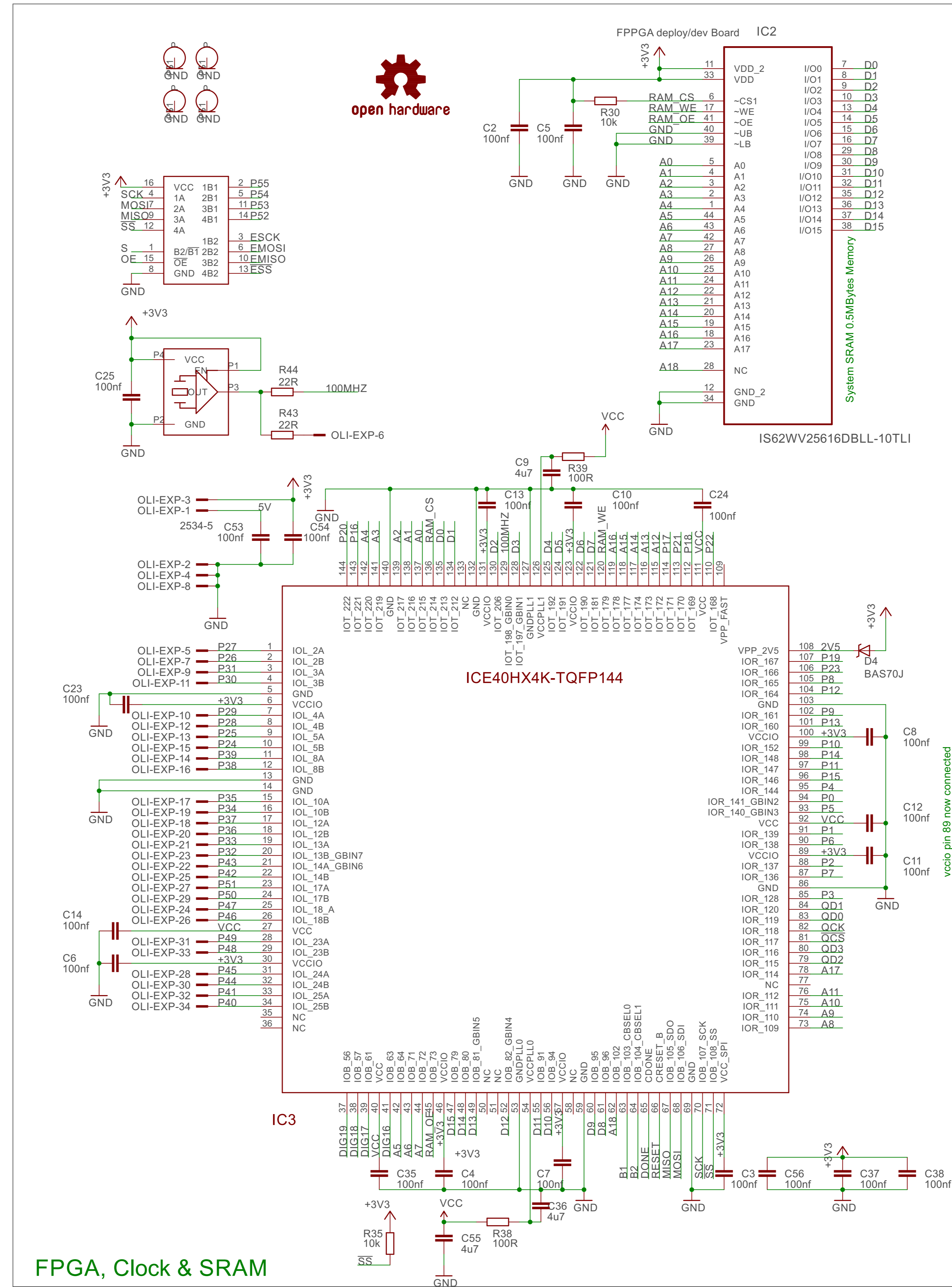


USB Serial Monitor

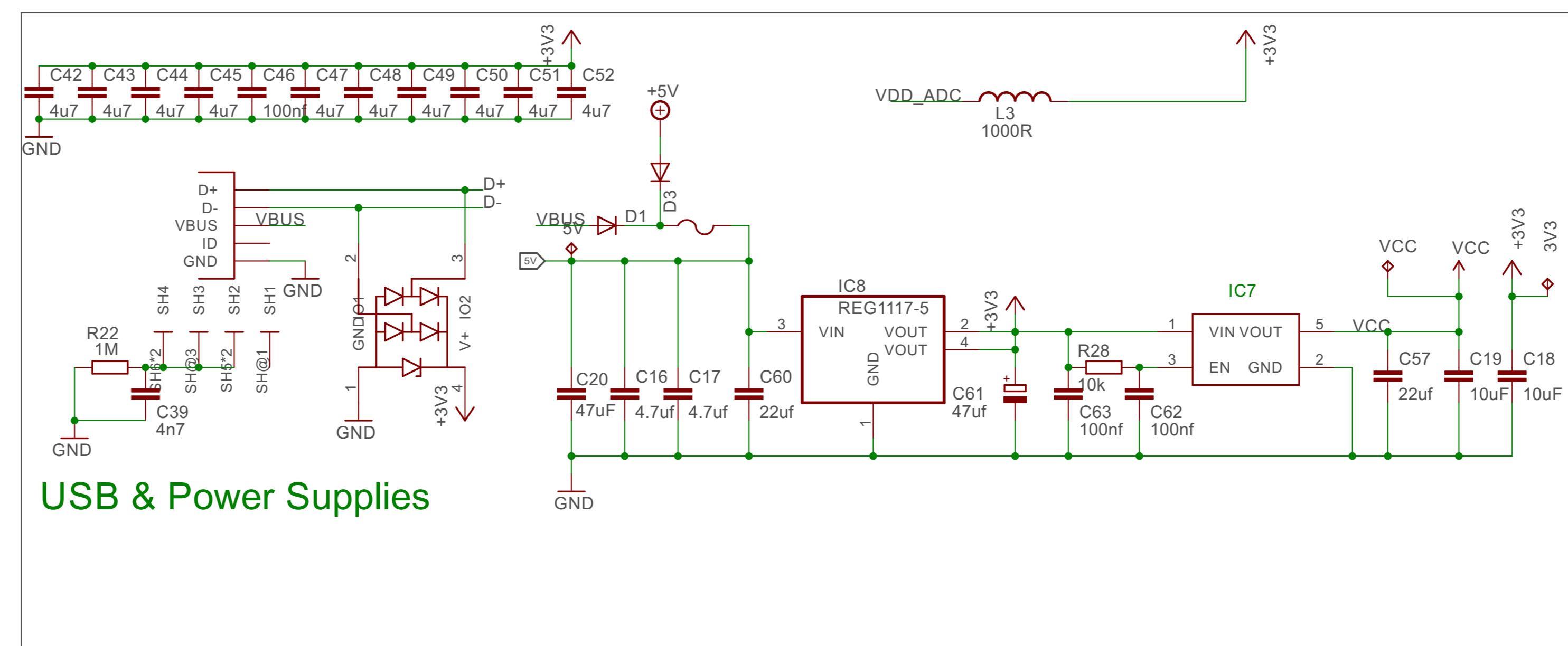
Shield Connectors



Microcontroller Switches, buttons and LEDs



FPGA, Clock & SRAM



USB & Power Supplies

TITLE: BlackIce18_07_01D

Document Number:

REV:

Date: 20/07/2017 22:51:09

Sheet: 1/1